

HIGHLAND ILLUMINATED

904152FMM-LIA

HIGHLAND 52" LED FAN



DETAILS	
FAN FINISH:	Metallic Matte Bronze
GLASS:	Etched
BLADE COUNT:	5
SLOPE DEGREE:	20

DIMENSIONS	
WIDTH:	52"
HEIGHT:	17.3"

LIGHT SOURCE	
LED NAME:	E901752LEDLMP
VOLTAGE:	120v
LUMENS:	1065
CRI:	90

MOUNTING	
CANOPY:	6" Dia.
LEAD WIRE:	1 X 76"

SHIPPING	
CARTON LENGTH:	23.2
CARTON WIDTH:	14.6
CARTON HEIGHT:	10.3

HIGHLAND ILLUMINATED

PRODUCT DETAILS:

- Dry Rated
- This item includes a 4.5" down rod (other lengths of down rods are available)
- Pull chain manual reverse, accessory controls available
- Control your fan's power, light, speed, direction, and so much more from the Hinkley Home Automation app
- Can be hung on a sloped ceiling
- LED bulbs carry a 3-year limited warranty
- Accessory controls are available that are compatible with your home's WiFi network
- Reversible blades included; two finishes allow for easily customizable style

HINKLEY

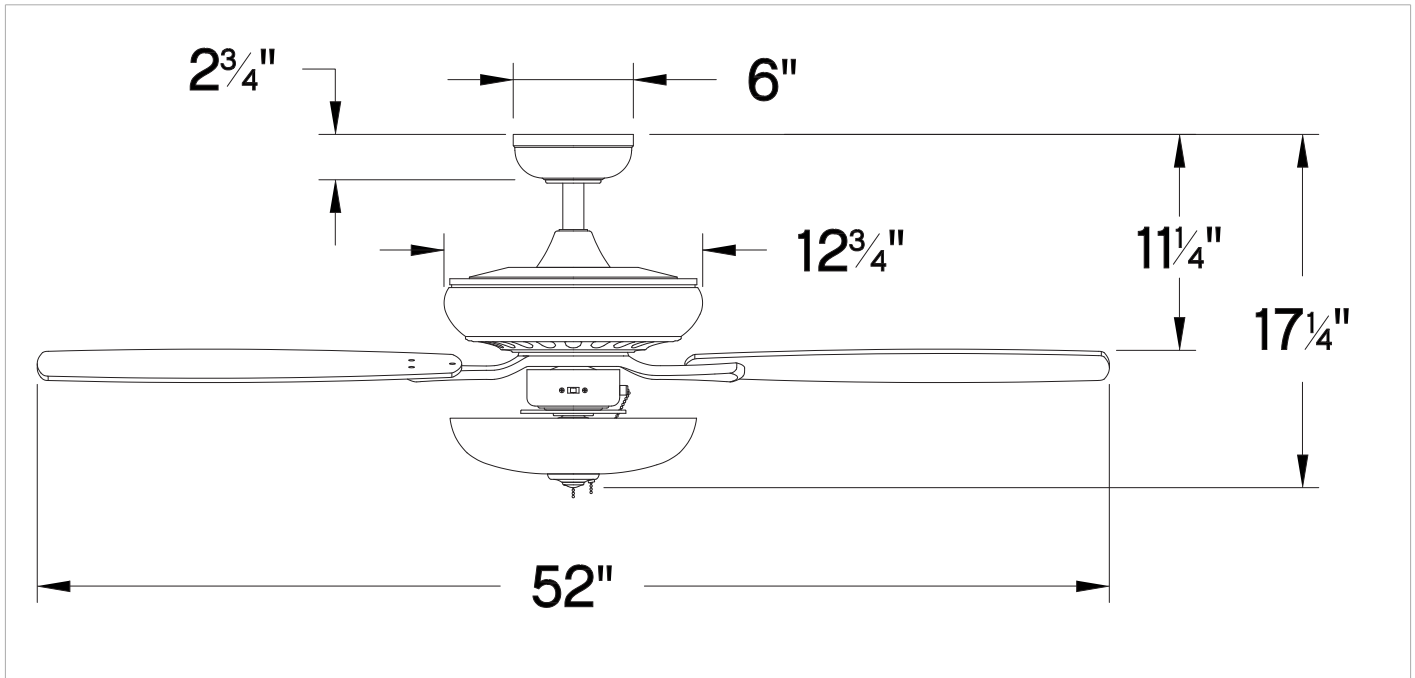
HINKLEY
33000 Pin Oak Parkway
Avon Lake, OH 44012

PHONE: (440) 653-5500
Toll Free: 1 (800) 446-5539

hinkley.com

HIGHLAND 52" LED FAN

904152FMM-LIA



PERFORMANCE SPECIFICATIONS	STANDARD	
	HIGH SPEED	AVERAGE SPEED
Airflow	5091	3668
EnergyUse	68.8	44
EnergyCost	19	12
Efficiency	74	83
AMPS	0.58	0.43
RPMS	157	112

AVERAGE PERFORMANCE AND ENERGY INFORMATION

ENERGYGUIDE

Estimated
Yearly Energy Cost

\$12

Cost Range of Similar Models (19" – 84")

\$3 | | | \$34

• Based on 12 cents per kWh and 6.4 hours use per day

• Your cost depends on rates and use

• Energy Use: 44 Watts

Airflow

3,668

Cubic Feet Per Minute

• The higher the airflow, the more air the fan will move

• Airflow Efficiency: 83 Cubic Feet Per Minute Per Watt

All estimates based on typical use, excluding lights ftc.gov/energy

Airflow Shown Is a Weighted Average of High and Low Cubic Feet per Minute Based on Downrod

HINKLEY

HINKLEY
33000 Pin Oak Parkway
Avon Lake, OH 44012

PHONE: (440) 653-5500
Toll Free: 1 (800) 446-5539

hinkley.com