



OASIS

901660FCW-NWA

OASIS 60" FAN

DETAILS	
FAN FINISH:	Chalk White
BLADE COUNT:	5
SLOPE DEGREE:	26

DIMENSIONS	
WIDTH:	60"
HEIGHT:	14.3"

LIGHT SOURCE	
VOLTAGE:	120v

MOUNTING	
CANOPY:	6.25" Dia.
LEAD WIRE:	1 X 76"

SHIPPING	
CARTON LENGTH:	26.3
CARTON WIDTH:	11.1
CARTON HEIGHT:	14.8

Part of the Regency Series, Oasis offers a simple yet classic all-you-need design. Available in Appliance White, Brushed Nickel, Graphite, Matte Black or Metallic Matte Bronze finish options, Oasis is so versatile; it can be used for both indoor and outdoor spaces. Blades are included with every fan.

PRODUCT DETAILS:

- Classic, elegant lines and timeless details enhance a traditional space
- This item includes a 4.5" down rod (other lengths of down rods are available)
- An optional light kit is available
- Pull chain manual reverse, accessory controls available
- Control your fan's power, light, speed, direction, and so much more from the Hinkley Home Automation app
- Can be hung on a sloped ceiling
- Accessory controls are available that are compatible with your home's WiFi network
- High quality composite resists rust, corrosion, and fading – ideal for harsh weather conditions

HINKLEY

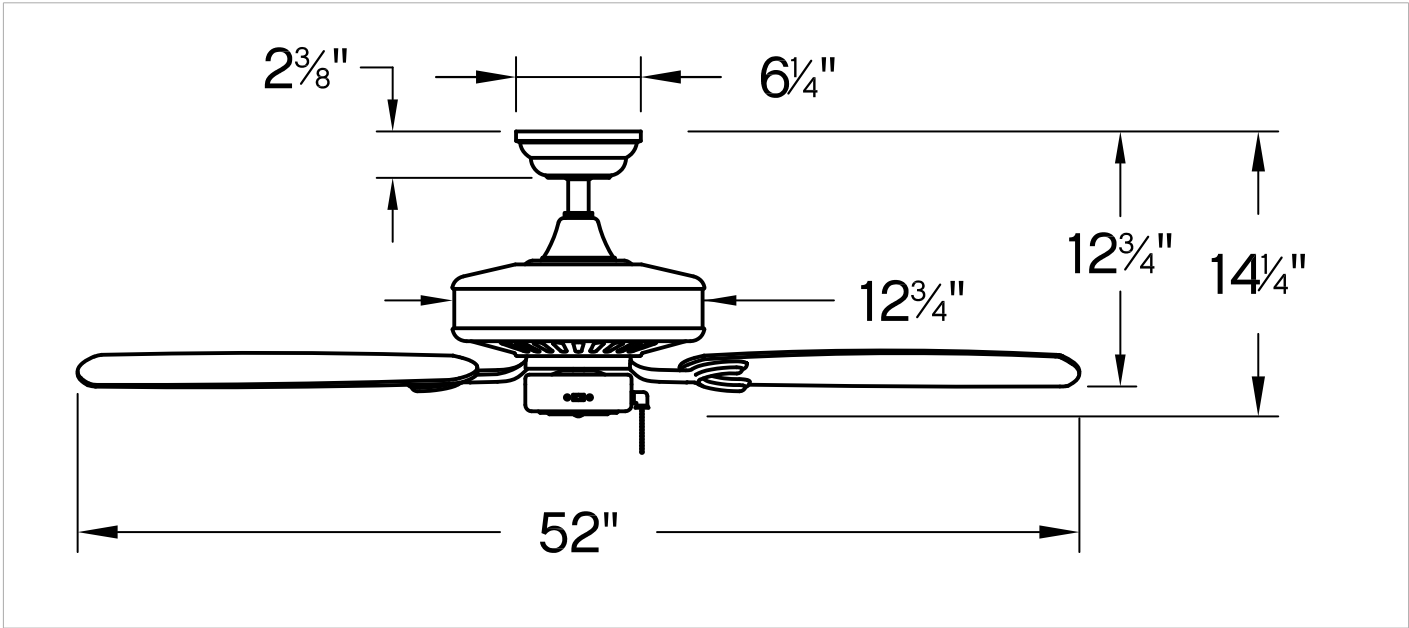
HINKLEY
33000 Pin Oak Parkway
Avon Lake, OH 44012

PHONE: (440) 653-5500
Toll Free: 1 (800) 446-5539

hinkley.com

OASIS 60" FAN

901660FCW-NWA



PERFORMANCE SPECIFICATIONS	STANDARD	
	HIGH SPEED	AVERAGE SPEED
Airflow	5876	4038
EnergyUse	79.4	48
EnergyCost	22	13
Efficiency	74	84
AMPS	0.66	0.46
RPMS	140	96

AVERAGE PERFORMANCE AND ENERGY INFORMATION

ENERGYGUIDE

Estimated
Yearly Energy Cost

\$13

\$3 | | | \$34

Cost Range of Similar Models (19" – 84")

- Based on 12 cents per kWh and 6.4 hours use per day
- Your cost depends on rates and use
- Energy Use: 48 Watts

All estimates based on typical use, excluding lights

Airflow

4,038

Cubic Feet Per Minute

- The higher the airflow, the more air the fan will move
- Airflow Efficiency: 84 Cubic Feet Per Minute Per Watt

ftc.gov/energy

Airflow Shown Is a Weighted Average of High and Low Cubic Feet per Minute Based on Downrod

HINKLEY

HINKLEY
33000 Pin Oak Parkway
Avon Lake, OH 44012

PHONE: (440) 653-5500
Toll Free: 1 (800) 446-5539

hinkley.com