



VERGE

902352FBN-LWA

VERGE 52" LED FAN

DETAILS	
FAN FINISH:	Brushed Nickel
GLASS:	Etched Opal
BLADE COUNT:	3
SLOPE DEGREE:	20

DIMENSIONS	
WIDTH:	52"
HEIGHT:	16.5"

LIGHT SOURCE	
LED NAME:	ER2G16W7
VOLTAGE:	120v
LUMENS:	1320
CRI:	95

MOUNTING	
CANOPY:	6" Dia.
LEAD WIRE:	1 X 76"

SHIPPING	
CARTON LENGTH:	26
CARTON WIDTH:	11
CARTON HEIGHT:	12

VERGE

PRODUCT DETAILS:

- This item includes a 4.5" down rod (other lengths of down rods are available)
- Control your fan's power, light, speed, direction, and so much more from the Hinkley Home Automation app
- Can be hung on a sloped ceiling
- Fan Control included, HIRO Control - 3 Speed Non-Reversing. All-in-one HIRO remote controls power, speed, and lighting; use as a wall control or portable remote
- Bold silhouette with dramatic details creates a modern statement
- Accessory controls are available that are compatible with your home's WiFi network
- LED components carry a 5-year limited warranty
- Energy-efficient integrated LED - safer for the environment and low maintenance

HINKLEY

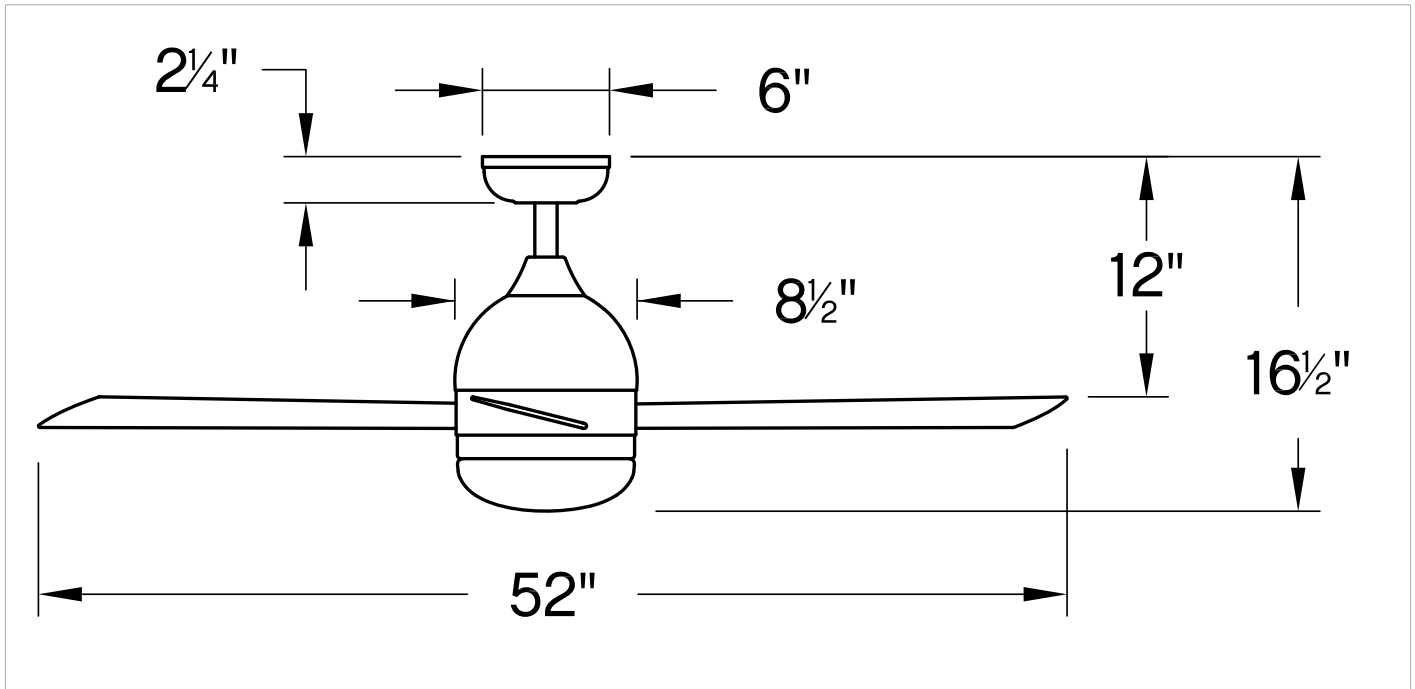
HINKLEY
33000 Pin Oak Parkway
Avon Lake, OH 44012

PHONE: (440) 653-5500
Toll Free: 1 (800) 446-5539

hinkley.com

VERGE 52" LED FAN

902352FBN-LWA



PERFORMANCE SPECIFICATIONS	STANDARD	
	HIGH SPEED	AVERAGE SPEED
Airflow	5226	3642
EnergyUse	52.4	32.8
EnergyCost	15	9
Efficiency	100	111
AMPS	0.44	0.31
RPMS	167	115

AVERAGE PERFORMANCE AND ENERGY INFORMATION

ENERGYGUIDE

Estimated Yearly Energy Cost

\$9

Cost Range of Similar Models (19" – 84")

\$3 | | | \$34

• Based on 12 cents per kWh and 6.4 hours use per day
• Your cost depends on rates and use
• Energy Use: 32.8 Watts

Airflow

3,642

Cubic Feet Per Minute

• The higher the airflow, the more air the fan will move
• Airflow Efficiency: 111 Cubic Feet Per Minute Per Watt

All estimates based on typical use, excluding lights ftc.gov/energy

Airflow Shown is a Weighted Average of High and Low Cubic Feet per Minute Based on Downrod

HINKLEY

HINKLEY
33000 Pin Oak Parkway
Avon Lake, OH 44012

PHONE: (440) 653-5500
Toll Free: 1 (800) 446-5539

hinkley.com