



# OASIS

**901652FGT-NWA**

OASIS 52" FAN

DETAILS	
FAN FINISH:	Graphite
BLADE COUNT:	5
SLOPE DEGREE:	26

DIMENSIONS	
WIDTH:	52"
HEIGHT:	14.3"

LIGHT SOURCE	
VOLTAGE:	120v

MOUNTING	
CANOPY:	6.25" Dia.
LEAD WIRE:	1 X 76"

SHIPPING	
CARTON LENGTH:	20
CARTON WIDTH:	14
CARTON HEIGHT:	11

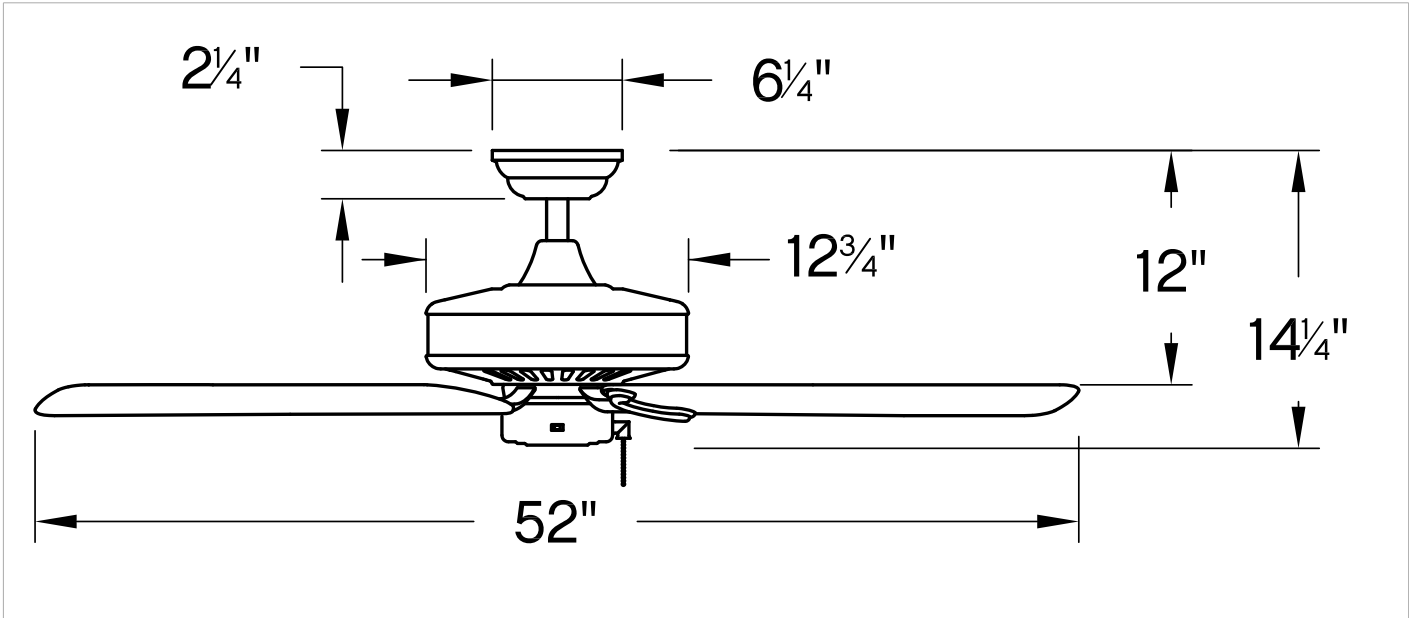
Part of the Regency Series, Oasis offers a simple yet classic all-you-need design. Available in Appliance White, Brushed Nickel, Graphite, Matte Black or Metallic Matte Bronze finish options, Oasis is so versatile; it can be used for both indoor and outdoor spaces. Blades are included with every fan.

## PRODUCT DETAILS:

- Classic, elegant lines and timeless details enhance a traditional space
- This item includes a 4.5" down rod (other lengths of down rods are available)
- An optional light kit is available
- Pull chain manual reverse, accessory controls available
- Control your fan's power, light, speed, direction, and so much more from the Hinkley Home Automation app
- Can be hung on a sloped ceiling
- Accessory controls are available that are compatible with your home's WiFi network
- High quality composite resists rust, corrosion, and fading – ideal for harsh weather conditions

# OASIS 52" FAN

901652FGT-NWA



PERFORMANCE SPECIFICATIONS	STANDARD	
	HIGH SPEED	AVERAGE SPEED
Airflow	5455	3867
EnergyUse	58.8	36
EnergyCost	16	10
Efficiency	93	106
AMPS	0.49	0.35
RPMS	161	111

**AVERAGE PERFORMANCE AND ENERGY INFORMATION**

## ENERGYGUIDE

Estimated  
Yearly Energy Cost  
**\$10**

\$3
\$34

Cost Range of Similar Models (19" – 84")

- Based on 12 cents per kWh and 6.4 hours use per day
- Your cost depends on rates and use
- Energy Use: 36 Watts

Airflow  
**3,867**  
Cubic Feet Per Minute

- The higher the airflow, the more air the fan will move
- Airflow Efficiency: 106 Cubic Feet Per Minute Per Watt

All estimates based on typical use, excluding lights ftc.gov/energy

Airflow Shown is a Weighted Average of High and Low Cubic Feet per Minute Based on Downrod

# HINKLEY

**HINKLEY**  
33000 Pin Oak Parkway  
Avon Lake, OH 44012

**PHONE: (440) 653-5500**  
Toll Free: 1 (800) 446-5539

[hinkley.com](http://hinkley.com)