

LAFAYETTE

901152FBN-NID

LAFAYETTE 52" FAN

DETAILS	
FAN FINISH:	Brushed Nickel
BLADE COUNT:	5
SLOPE DEGREE:	22

DIMENSIONS	
WIDTH:	52"
HEIGHT:	13.8"

LIGHT SOURCE	
VOLTAGE:	120v

MOUNTING	
CANOPY:	6" Dia.
LEAD WIRE:	1 X 76"

SHIPPING	
CARTON LENGTH:	22
CARTON WIDTH:	15
CARTON HEIGHT:	10



With an intricate filigree motor housing and decorative blades, Lafayette is a traditional beauty. Available in multiple finish options, Lafayette offers reversible blades for maximum versatility and comes equipped with DC motor technology to deliver excellent energy efficiency. Blades are included with every fan.

PRODUCT DETAILS:

- Dry Rated
- Classic, elegant lines and timeless details enhance a traditional space
- This item includes a 4.5" down rod (other lengths of down rods are available)
- An optional light kit is available
- Pull chain manual reverse, accessory controls available
- Control your fan's power, light, speed, direction, and so much more from the Hinkley Home Automation app
- Can be hung on a sloped ceiling
- Accessory controls are available that are compatible with your home's WiFi network

HINKLEY

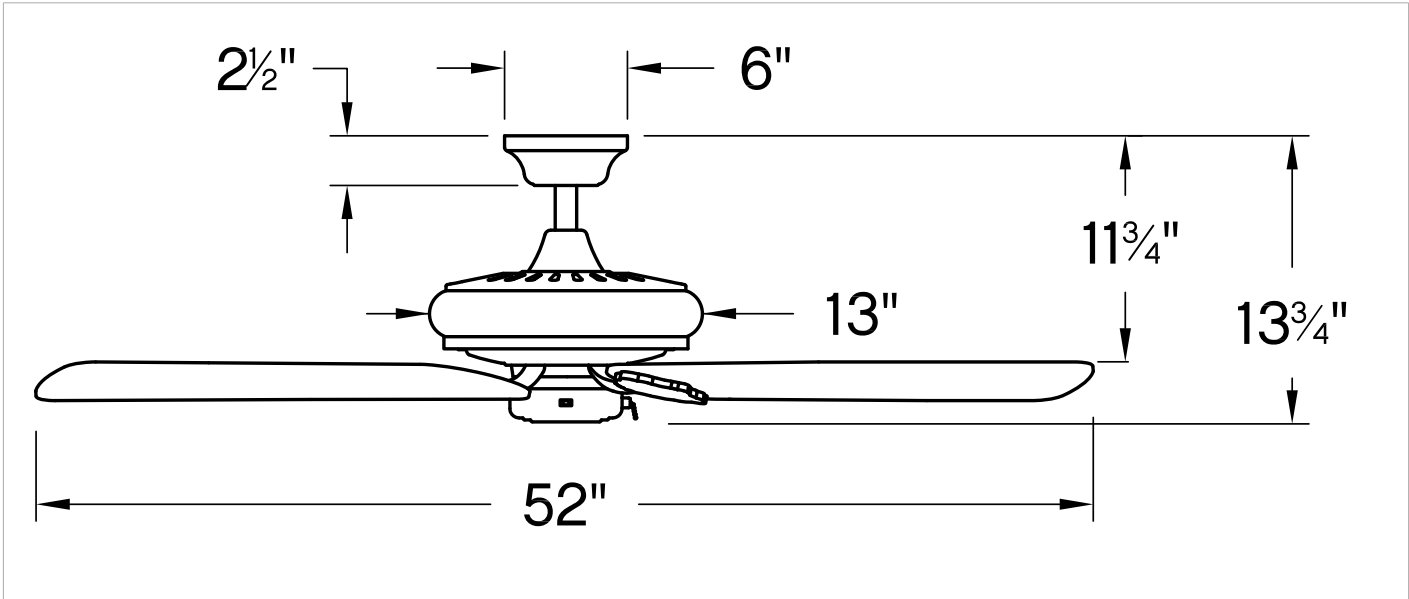
HINKLEY
33000 Pin Oak Parkway
Avon Lake, OH 44012

PHONE: (440) 653-5500
Toll Free: 1 (800) 446-5539

hinkley.com

LAFAYETTE 52" FAN

901152FBN-NID



PERFORMANCE SPECIFICATIONS	STANDARD	
	HIGH SPEED	AVERAGE SPEED
Airflow	5764	3862
EnergyUse	31	20
EnergyCost	9	6
Efficiency	186	195
AMPS	0.41	0.25
RPMS	166	110

AVERAGE PERFORMANCE AND ENERGY INFORMATION

ENERGYGUIDE

Estimated
Yearly Energy Cost

\$6

\$3 | | | \$34

Cost Range of Similar Models (19" – 84")

• Based on 12 cents per kWh and 6.4 hours use per day
 • Your cost depends on rates and use
 • Energy Use: 20 Watts

Airflow

3,862

Cubic Feet Per Minute

- The higher the airflow, the more air the fan will move
- Airflow Efficiency: 195 Cubic Feet Per Minute Per Watt

All estimates based on typical use, excluding lights ftc.gov/energy

Airflow Shown is a Weighted Average of High and Low Cubic Feet per Minute Based on Downrod