



GRANDER

900660FPW-NID

GRANDER 60" FAN

DETAILS	
FAN FINISH:	Pewter
BLADE COUNT:	5
SLOPE DEGREE:	22

DIMENSIONS	
WIDTH:	60"
HEIGHT:	16"

LIGHT SOURCE	
VOLTAGE:	120v

MOUNTING	
CANOPY:	6" Dia.
LEAD WIRE:	1 X 76"

SHIPPING	
CARTON LENGTH:	17
CARTON WIDTH:	17
CARTON HEIGHT:	12

Grander is a perfect blend of modern and traditional elements, creating a silhouette that complements virtually any interior space. Available in an assortment of five stylish finishes with reversible blades, it features DC motor technology to deliver excellent energy efficiency. Blades are included with every fan.

PRODUCT DETAILS:

- Dry Rated
- Control your fan's power, light, speed, direction, and so much more from the Hinkley Home Automation app
- Can be hung on a sloped ceiling
- Accessory controls are available that are compatible with your home's WiFi network
- Reversible blades included; two finishes allow for easily customizable style
- This item includes a 6" down rod (other lengths of down rods are available)
- Merging the best of traditional and modern elements with a sophisticated and streamlined look
- Fan Control included, Wall Control - 6 Speed Reversing

HINKLEY

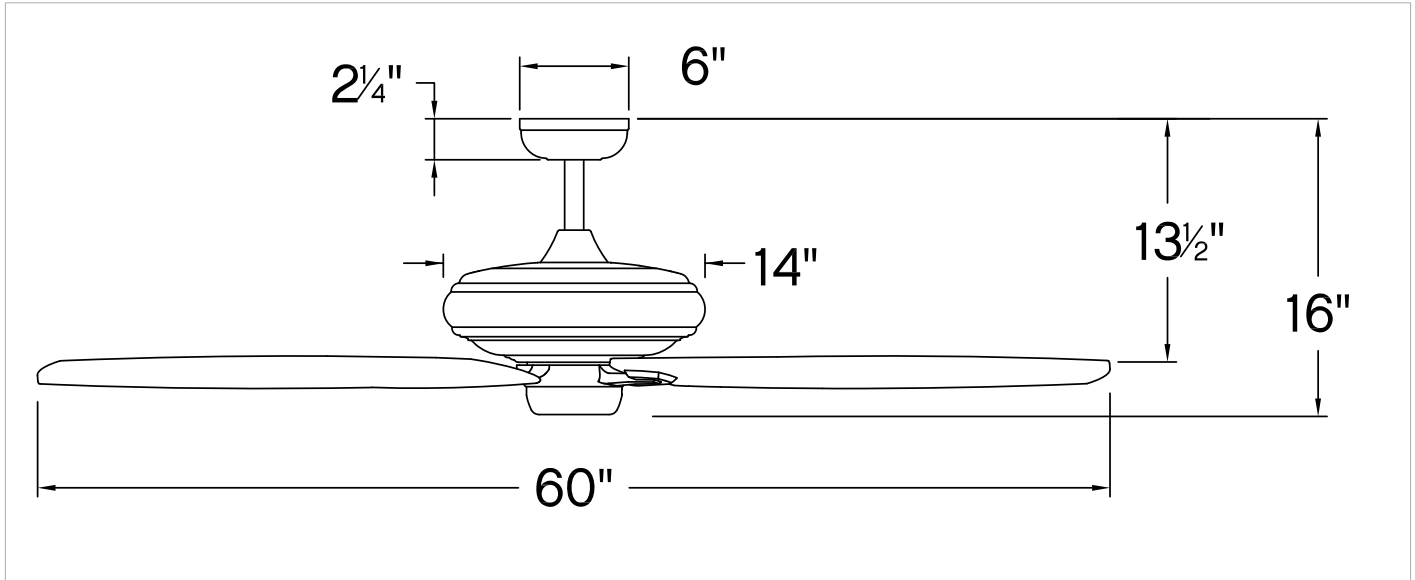
HINKLEY
33000 Pin Oak Parkway
Avon Lake, OH 44012

PHONE: (440) 653-5500
Toll Free: 1 (800) 446-5539

hinkley.com

GRANDER 60" FAN

900660FPW-NID



PERFORMANCE SPECIFICATIONS	STANDARD	
	HIGH SPEED	AVERAGE SPEED
Airflow	7823	5148
EnergyUse	31.1	19
EnergyCost	9	5
Efficiency	251	270
AMPS	0.44	0.25
RPMS	169	107

AVERAGE PERFORMANCE AND ENERGY INFORMATION

ENERGYGUIDE

Estimated
Yearly Energy Cost
\$5

\$3 | | | \$34

Cost Range of Similar Models (19" - 84")

- Based on 12 cents per kWh and 6.4 hours use per day
- Your cost depends on rates and use
- Energy Use: 19 Watts

All estimates based on typical use, excluding lights

Airflow
5,148
Cubic Feet Per Minute

- The higher the airflow, the more air the fan will move
- Airflow Efficiency: 270 Cubic Feet Per Minute Per Watt

ftc.gov/energy

Airflow Shown is a Weighted Average of High and Low Cubic Feet per Minute Based on Downrod