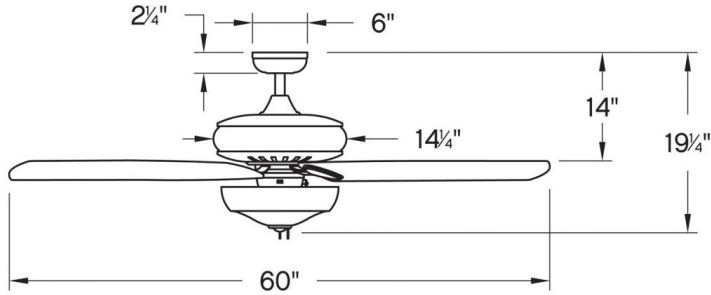


GLADIATOR ILLUMINATED

900460FSS-LID

GLADIATOR ILLUMINATED 60" LED FAN



DETAILS	
FAN FINISH:	Satin Steel
GLASS:	White Linen
BLADE COUNT:	5
SLOPE DEGREE:	22

DIMENSIONS	
WIDTH:	60"
HEIGHT:	19.3"

LIGHT SOURCE	
LED NAME:	(3) E900460LED
VOLTAGE:	120v
LUMENS:	2430
CRI:	90

MOUNTING	
CANOPY:	6" Dia.
LEAD WIRE:	1 X 76"

SHIPPING	
CARTON LENGTH:	29.5
CARTON WIDTH:	17
CARTON HEIGHT:	11

With the greatest combination of power, versatility and technology, Gladiator has it all. Its LED bulbs and DC motor technology deliver excellent energy efficiency. Gladiator comes in all of Hinkley's best finishes with reversible blades, maximizing design choices for almost any interior space. Blades are included with every fan.

PRODUCT DETAILS:

- Dry Rated
- Classic, elegant lines and timeless details enhance a traditional space
- This item includes a 4.5" down rod (other lengths of down rods are available)
- This design is made with stainless steel for superior strength and performance
- Pull chain manual reverse, accessory controls available
- Control your fan's power, light, speed, direction, and so much more from the Hinkley Home Automation app
- Can be hung on a sloped ceiling
- LED bulbs carry a 3-year limited warranty

HINKLEY

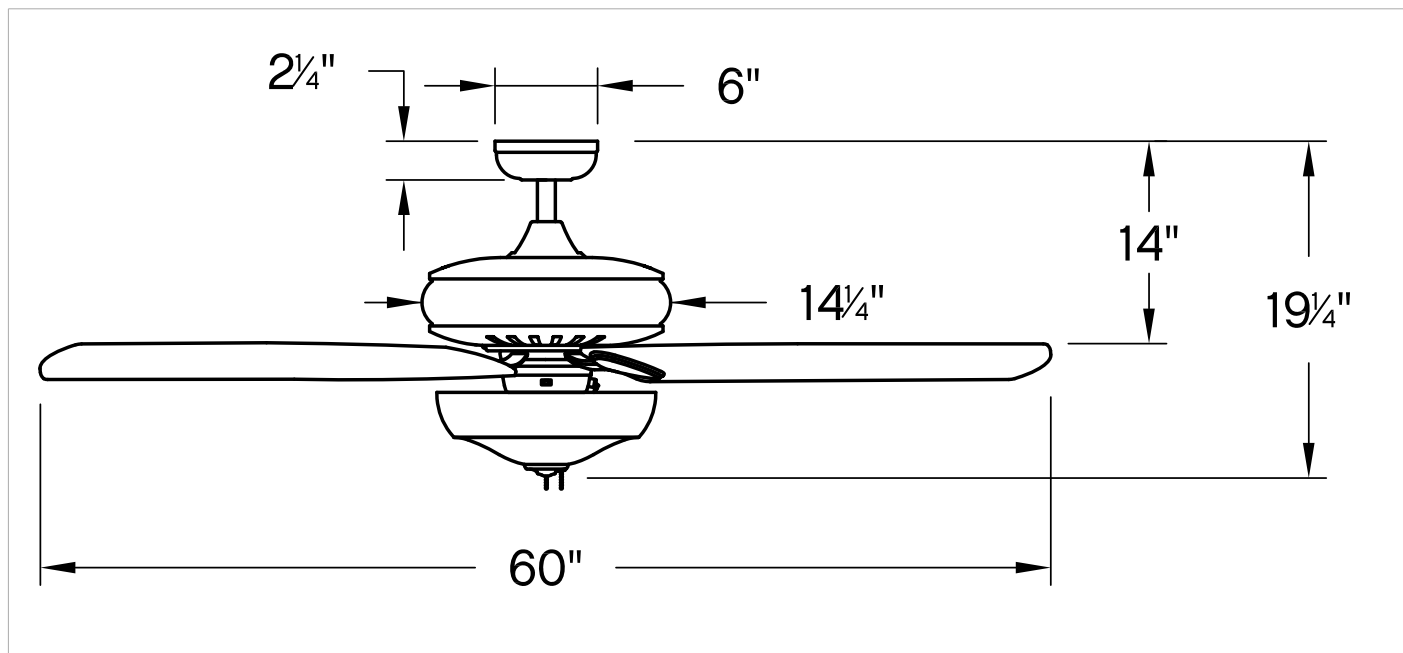
HINKLEY
33000 Pin Oak Parkway
Avon Lake, OH 44012

PHONE: (440) 653-5500
Toll Free: 1 (800) 446-5539

hinkley.com

GLADIATOR ILLUMINATED 60" LED FAN

900460FSS-LID



PERFORMANCE SPECIFICATIONS	STANDARD	
	HIGH SPEED	AVERAGE SPEED
Airflow	6118	4571
EnergyUse	31.3	20
EnergyCost	9	6
Efficiency	196	223
AMPS	0.41	0.26
RPMS	116	88

HINKLEY

HINKLEY
33000 Pin Oak Parkway
Avon Lake, OH 44012

PHONE: (440) 653-5500
Toll Free: 1 (800) 446-5539

hinkley.com