

GLADIATOR

900460FAC-NID

GLADIATOR 60" FAN

DETAILS

FAN FINISH:	Antique Copper
BLADE COUNT:	5
SLOPE DEGREE:	22

DIMENSIONS

WIDTH:	60"
HEIGHT:	16"

LIGHT SOURCE

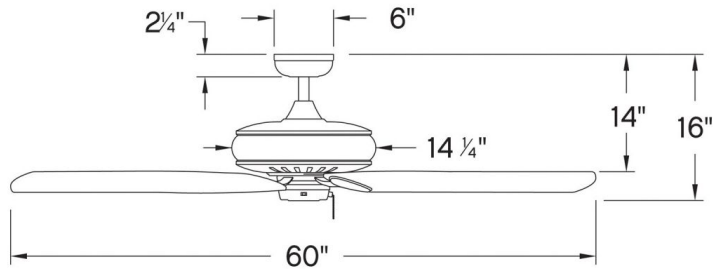
VOLTAGE:	120v
----------	------

MOUNTING

CANOPY:	6" Dia.
LEAD WIRE:	1 X 76"

SHIPPING

CARTON LENGTH:	29.5
CARTON WIDTH:	17
CARTON HEIGHT:	11



With the greatest combination of power, versatility and technology, Gladiator has it all. Its DC motor technology delivers excellent energy efficiency, and is available in all of Hinkley's best finishes with reversible blades, maximizing design choices for almost any interior space. Blades are included with every fan.

PRODUCT DETAILS:

- Dry Rated
- Classic, elegant lines and timeless details enhance a traditional space
- This item includes a 4.5" down rod (other lengths of down rods are available)
- Pull chain manual reverse, accessory controls available
- Control your fan's power, light, speed, direction, and so much more from the Hinkley Home Automation app
- Can be hung on a sloped ceiling
- Accessory controls are available that are compatible with your home's WiFi network
- Reversible blades included; two finishes allow for easily customizable style

HINKLEY

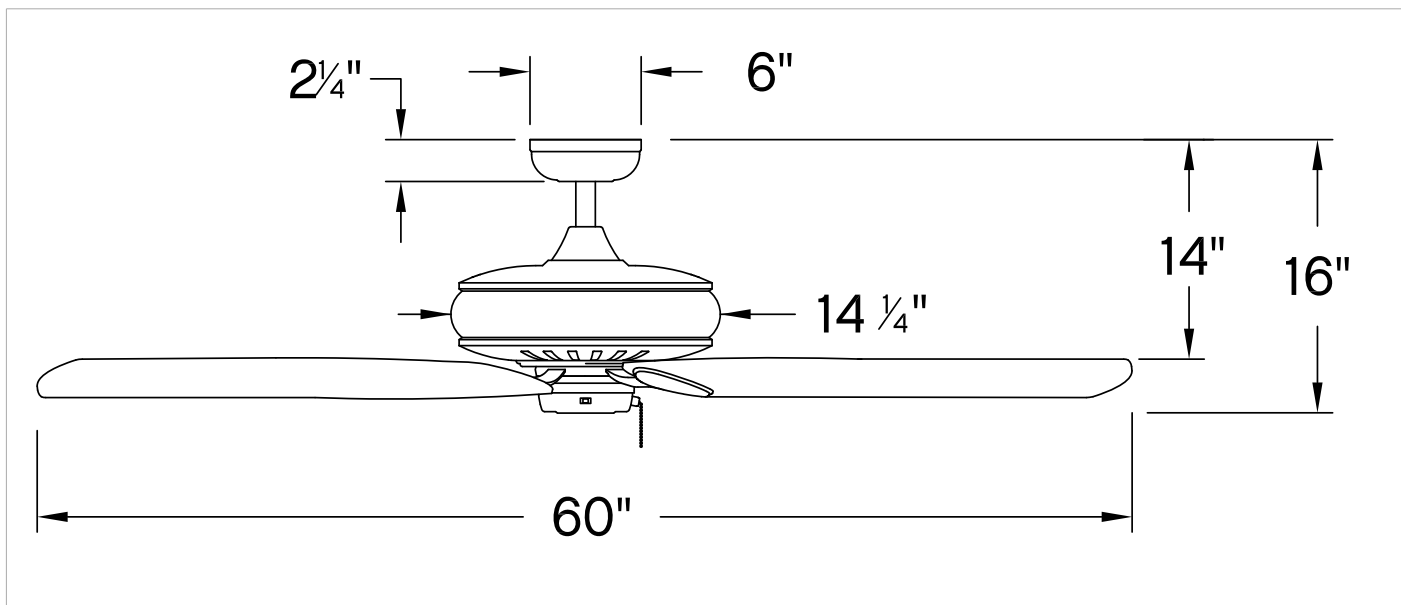
HINKLEY
33000 Pin Oak Parkway
Avon Lake, OH 44012

PHONE: (440) 653-5500
Toll Free: 1 (800) 446-5539

hinkley.com

GLADIATOR 60" FAN

900460FAC-NID



PERFORMANCE SPECIFICATIONS	STANDARD	
	HIGH SPEED	AVERAGE SPEED
Airflow	6254	4670
EnergyUse	31.2	20
EnergyCost	9	6
Efficiency	200	231
AMPS	0.41	0.25
RPMS	116	86

HINKLEY

HINKLEY
33000 Pin Oak Parkway
Avon Lake, OH 44012

PHONE: (440) 653-5500
Toll Free: 1 (800) 446-5539

hinkley.com