

STINSON

3539DA

MEDIUM SIX LIGHT LINEAR

For a classic statement-maker, Stinson hits the mark. A robust open and airy cage, designed for maximum impact in Distressed Brass or Black with Polished Nickel finish, is accompanied by refined sparkling crystal accents to create the perfect mix of traditional appeal and industrial panache.

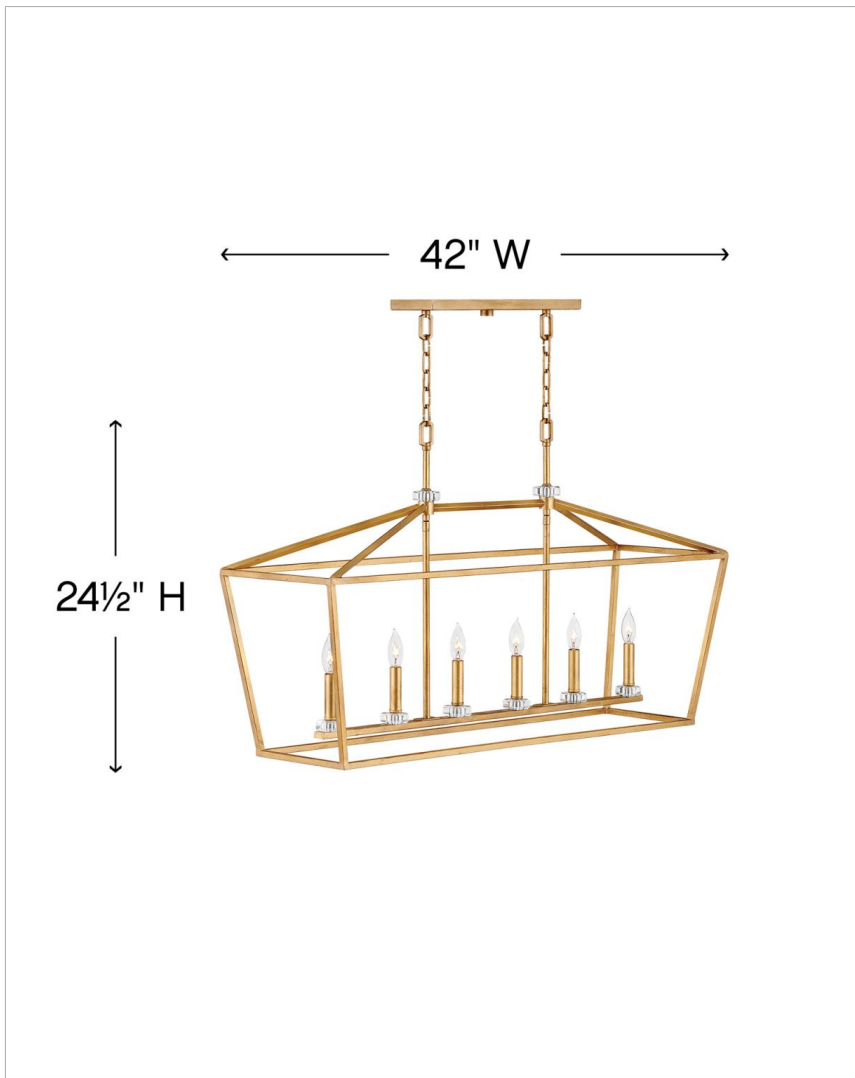
DETAILS	
FINISH:	Distressed Brass
MATERIAL:	Steel
DIMMABLE:	YES - WITH DIMMABLE LAMP (NOT INCLUDED)

DIMENSIONS	
WIDTH:	42"
HEIGHT:	24.5"
DEPTH:	12
WEIGHT:	14.7lb

LIGHT SOURCE	
LIGHT SOURCE:	Socketed
WATTAGE:	6-5w Cand. LED, 60w Equiv.
VOLTAGE:	120v

MOUNTING	
CANOPY:	4.5"W X 15.75"L
LEAD WIRE:	1 X 120"

SHIPPING	
CARTON LENGTH:	44.5
CARTON WIDTH:	14.3
CARTON HEIGHT:	22.3
CARTON WEIGHT:	21.6



PRODUCT DETAILS:

- Dry Rated
- Merging the best of traditional and modern elements with a sophisticated and streamlined look