

TRELLIS

1439DZ

DOUBLE XL WALL MOUNT LANTERN WITH SCROLL

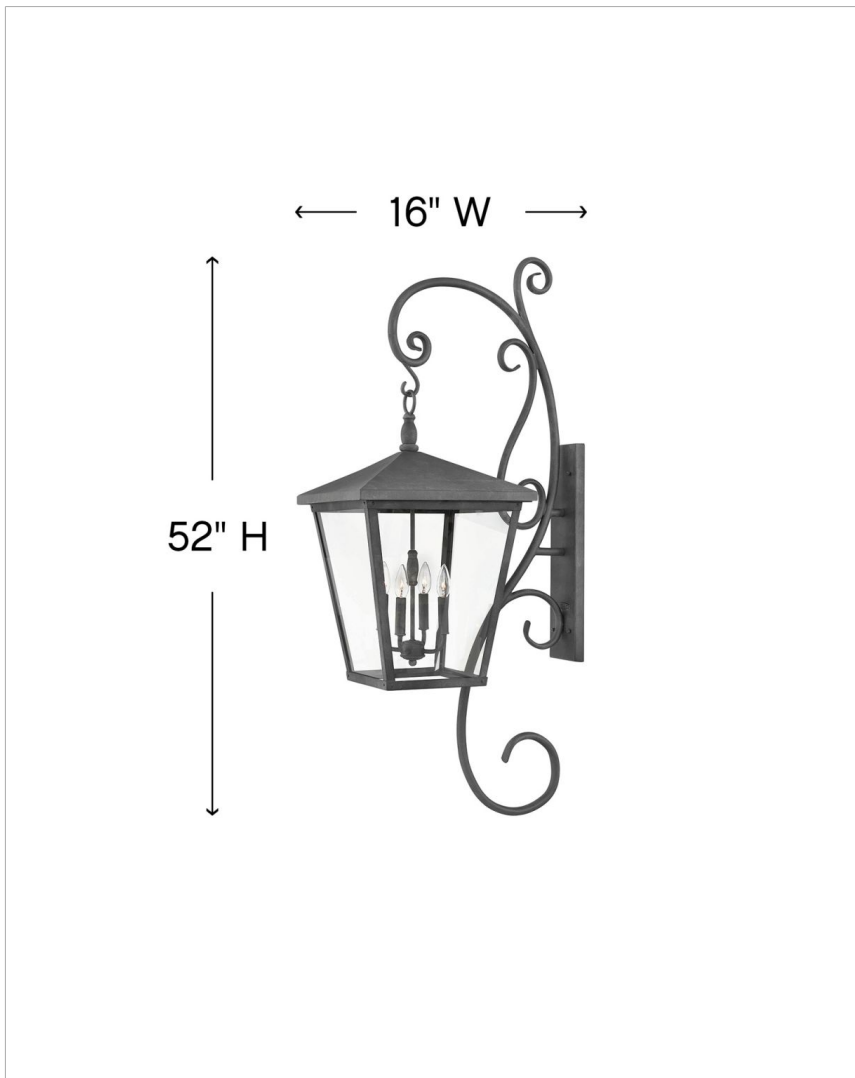
Trellis is a traditional European lantern design in an Aged Zinc finish with clear glass or Regency Bronze with clear seedy glass. The large scroll arm detail, cast loop finial and true rivet detail create a refined elegance.

DETAILS	
FINISH:	Aged Zinc
MATERIAL:	Aluminum
GLASS:	Clear
DIMMABLE:	YES - WITH DIMMABLE LAMP (NOT INCLUDED)

DIMENSIONS	
WIDTH:	16"
HEIGHT:	52"
WEIGHT:	31lb
BACK PLATE:	4.75"W X 20"H
EXTENSION:	24"
TOP TO OUTLET:	27.5"

LIGHT SOURCE	
LIGHT SOURCE:	Socketed
WATTAGE:	4-5w Cand. LED, 60w Equiv.
VOLTAGE:	120v

SHIPPING	
CARTON LENGTH:	27
CARTON WIDTH:	20
CARTON HEIGHT:	56
CARTON WEIGHT:	43



PRODUCT DETAILS:

- Aluminum material ensures this piece can withstand strenuous outdoor conditions
- Part of the Estate Series, a comprehensive breadth of fixtures, thoughtfully selected to meet the diverse needs of expansive estates
- Wet Rated
- Mounted at a point of entry, wall mount lights provide safety and security with a welcoming element
- Classic lines and heritage details complement traditional architecture
- Outdoor finishes carry a 2-year warranty

HINKLEY

HINKLEY
33000 Pin Oak Parkway
Avon Lake, OH 44012

PHONE: (440) 653-5500
Toll Free: 1 (800) 446-5539

hinkley.com